

ACWGM015-070-080 AC Gearmotor

FEATURES

- AC Gearmotor
- 70mm Motor Diameter
- Up to 708 oz-in of Torque
- Fourteen Gear Ratios from 3.6 to 180
- Can be Customized for
 - Winding Current
 - Shaft Options
 - Cables and Connector Adders



DESCRIPTION

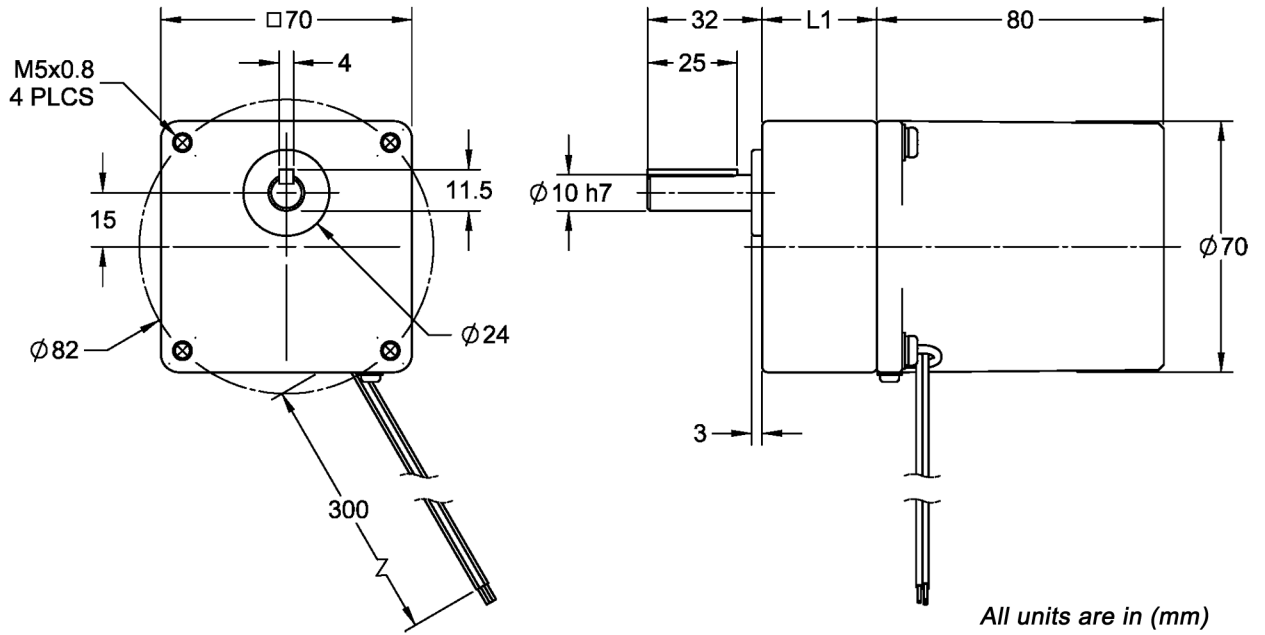
Anaheim Automation's AC Gearmotors come in a variety of starting torques, ending torques and current. The ACWGM015-070-080 AC Gearmotor has a starting torque of 13 oz-in. This series is available in fourteen gear ratios ranging from 3.6 to 180. These motors run at up to 500 RPM with single phase 110 VAC, 60Hz. The ACWGM015-070-080 offers torque ranges up to 708 oz-in. Other models are available to provide even higher torque ranges. Custom options for the AC Gearmotor line include optimizing the maximum speed, torque, current voltage, cabling, wiring, connectors, and shaft modifications.

SPECIFICATIONS

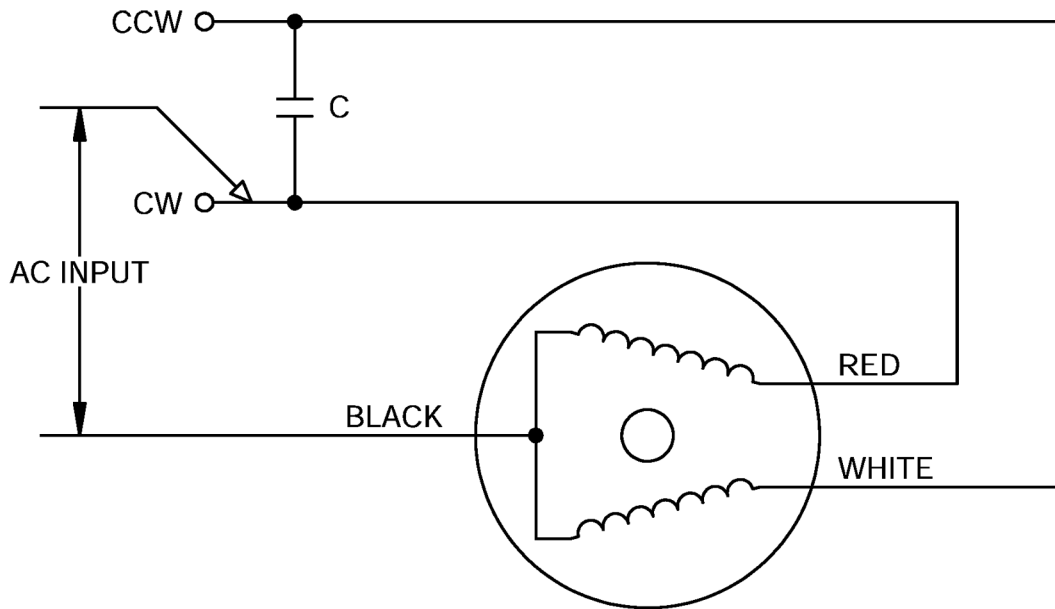
Model #	Input Voltage (VAC)	Gear Ratio	Power (W)	Current (A)	Motor Speed (RPM)	Start Torque (oz-in)	Rated Torque (oz-in)	Motor Diameter (mm)	Motor Length (mm)	Weight (lbs)
ACWGM015-070-080-110-1500-R3.6	110	3.6	15	0.34	500	12.75	30.65	70	112	2.65
ACWGM015-070-080-110-1500-R6	110	6	15	0.34	300	12.75	66.56	70	112	2.65
ACWGM015-070-080-110-1500-R9	110	9	15	0.34	200	12.75	99.13	70	112	2.65
ACWGM015-070-080-110-1500-R10	110	10	15	0.34	180	12.75	110.46	70	112	2.65
ACWGM015-070-080-110-1500-R15	110	15	15	0.34	120	12.75	148.69	70	112	2.65
ACWGM015-070-080-110-1500-R18	110	18	15	0.34	100	12.75	178.43	70	122	2.68
ACWGM015-070-080-110-1500-R20	110	20	15	0.34	90	12.75	198.26	70	122	2.68
ACWGM015-070-080-110-1500-R30	110	30	15	0.34	60	12.75	297.39	70	122	2.68
ACWGM015-070-080-110-1500-R36	110	36	15	0.34	50	12.75	355.45	70	122	2.68
ACWGM015-070-080-110-1500-R40	110	40	15	0.34	45	12.75	395.10	70	122	2.68
ACWGM015-070-080-110-1500-R60	110	60	15	0.34	30	12.75	533.88	70	122	2.68
ACWGM015-070-080-110-1500-R90	110	90	15	0.34	20	12.75	708.06	70	122	2.68
ACWGM015-070-080-110-1500-R120	110	120	15	0.34	15	12.75	708.06	70	122	2.68
ACWGM015-070-080-110-1500-R180	110	180	15	0.34	10	12.75	708.06	70	122	2.68

L010491

DIMENSION



WIRING INFORMATION



SPECIFICATIONS

Capacitor: μ F/VAC	5 / 250	Phase:	Single-Phase
Frequency:	60Hz	AC Motor Type:	Reversible
Radial Play:	33.07lb - Force @ 20mm	Operating Temperature	10°F to 131°F
Thrust Play:	8.82 lb - Force	Humidity:	90%